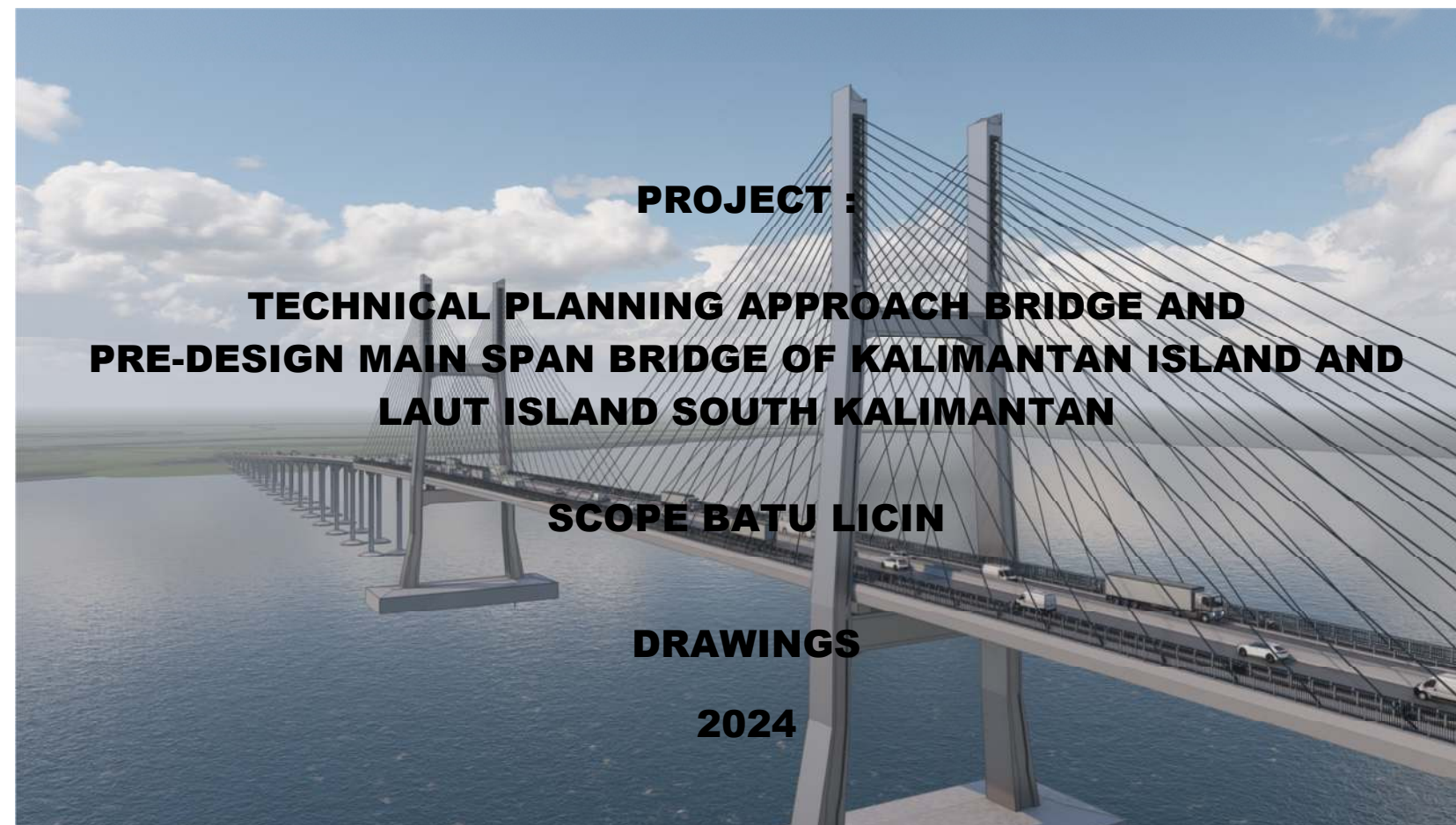




**SOUTH KALIMANTAN PROVINCE
GOVERNMENT
MINISTRY OF PUBLIC WORK**



PROJECT :

**TECHNICAL PLANNING APPROACH BRIDGE AND
PRE-DESIGN MAIN SPAN BRIDGE OF KALIMANTAN ISLAND AND
LAUT ISLAND SOUTH KALIMANTAN**

SCOPE BATU LICIN

DRAWINGS

2024

**PT. PEMETA ENGINEERING SYSTEM KSO
PT. ANUGRAH KRIDAPRADANA
PT. WIDYADAYA BANDARAN**



A. GENERAL



**SOUTH KALIMANTAN PROVINCE
GOVERNMENT**
MINISTRY OF PUBLIC WORK
JALAN D.J. PANDJAITAN No. 8 BANJARMASIN

**PROGRAM PEMBANGUNAN
JALAN DAN JEMBATAN**

No. PACKAGE	PROVINCE	No. ROADS	PROJECT
	SOUTH KALIMANTAN	SUB DISTRICT KOTA BARU	TECHNICAL PLANNING APPROACH BRIDGE AND PRE-DESIGN MAIN SPAN BRIDGE OF KALIMANTAN ISLAND AND LAUT ISLAND SOUTH KALIMANTAN
	TANAH BUMBU – KOTA BARU		

PT. PEMETA ENGINEERING SYSTEM, KSO PT. ANUGRAH KRIDAPRADANA PT. WIDYADAYA BANDARAN		
DRAWING BY :	PLANNED BY :	APPROVED BY :
 Asep Ariyanto, S.T. OPERATOR CAD	 Ir. Ary Pramudito, S.T., M.T. STRUCTURAL ENG.	 Ir. Budi Santoso, M.T. TEAM LEADER

DRAWING TITLE :	DRAWING LIST
SCALE :	
DATE :	

DRAWING No.:	A-01
SCALE :	
DATE :	

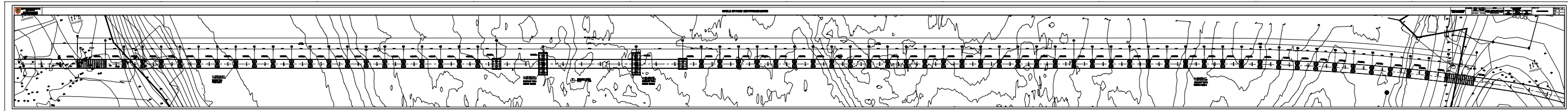
LIST OF DRAWING KOTA BARU BRIDGE

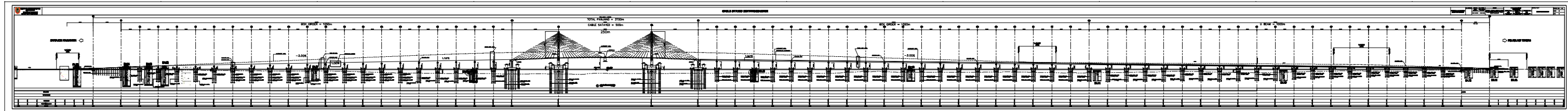
A. GENERAL

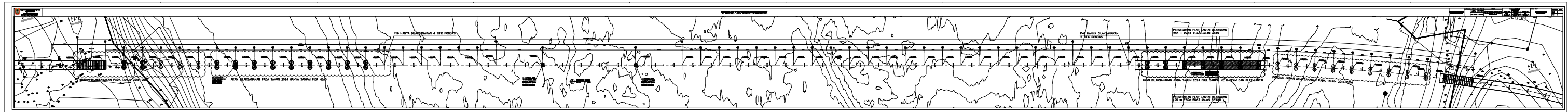
NO. DWG	TITLE DRAWING
A - 00	COVER
A - 01	LIST OF DRAWING
A - 02	PLAN OF FOUNDATION
A - 03	LONGITUDINAL SECTION
A - 04	PLAN OF FOUNDATION SCOPE OF WORK
A - 05	LONGITUDINAL SECTION SCOPE OF WORK

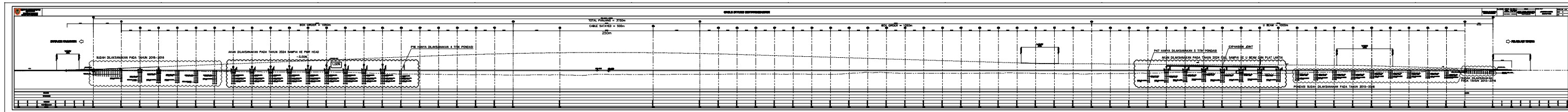
B. SCOPE BATU LICIN

NO. DWG	TITLE DRAWING
B - 01	PLAN OF FOUNDATION SCOPE OF WORK (BATU LICIN SIDE)
B - 02	LONGITUDINAL SECTION SCOPE OF WORK (BATU LICIN SIDE)
B - 03	FOUNDATION DETAIL OF PIER P7-P15
B - 04	DIMENSION OF PIER P7-P15
B - 05	REINFORCEMENT OF PILE CAP PIER P7-P16
B - 06	REINFORCEMENT OF PIER P7-P16



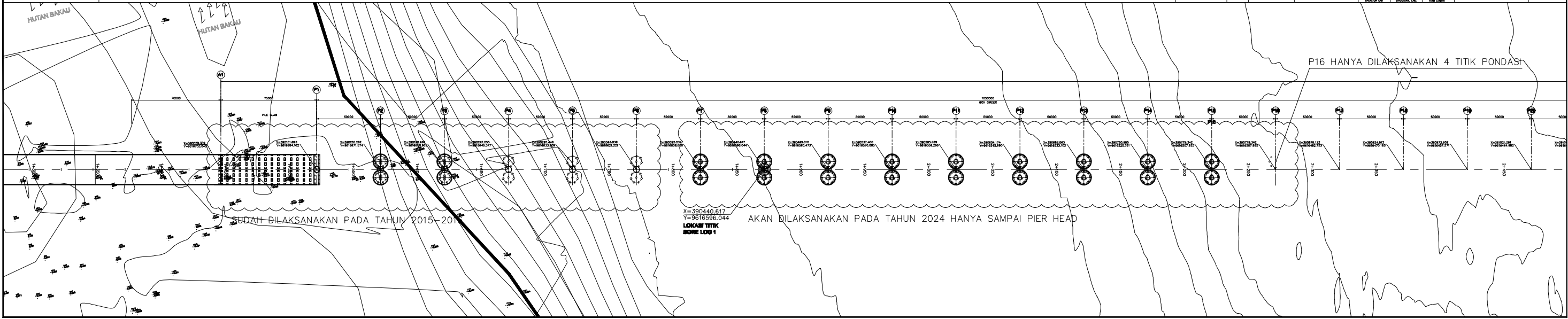








B. SCOPE BATU LICIN





**SOUTH KALIMANTAN PROVINCE
GOVERNMENT**
MINISTRY OF PUBLIC WORK
JALAN D.J. PANDJAITAN No. 8 BANJARMASIN

**PROGRAM PEMBANGUNAN
JALAN DAN JEMBATAN**

No. PACKAGE	PROVINCE	No. ROADS	PROJECT
	SOUTH KALIMANTAN	SUB DISTRICT KOTA BARU	TECHNICAL PLANNING APPROACH BRIDGE AND PRE-DESIGN MAIN SPAN BRIDGE OF KALIMANTAN ISLAND AND LAUT ISLAND SOUTH KALIMANTAN
	TANAH BUMBU - KOTA BARU		

PROJECT

**PT. PEMETA ENGINEERING SYSTEM, KSO
PT. ANUGRAH KRIDAPRADANA
PT. WIDYADAYA BANDARAN**

DRAWING BY :	PLANNED BY :	APPROVED BY :
<i>Asep Ariyanto, S.T.</i> OPERATOR CAD	<i>Ir. Ary Pramarto, S.T., M.T.</i> STRUCTURAL ENG.	<i>Ir. Budi Santoso, M.T.</i> TEAM LEADER

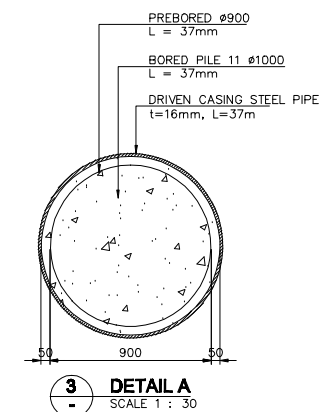
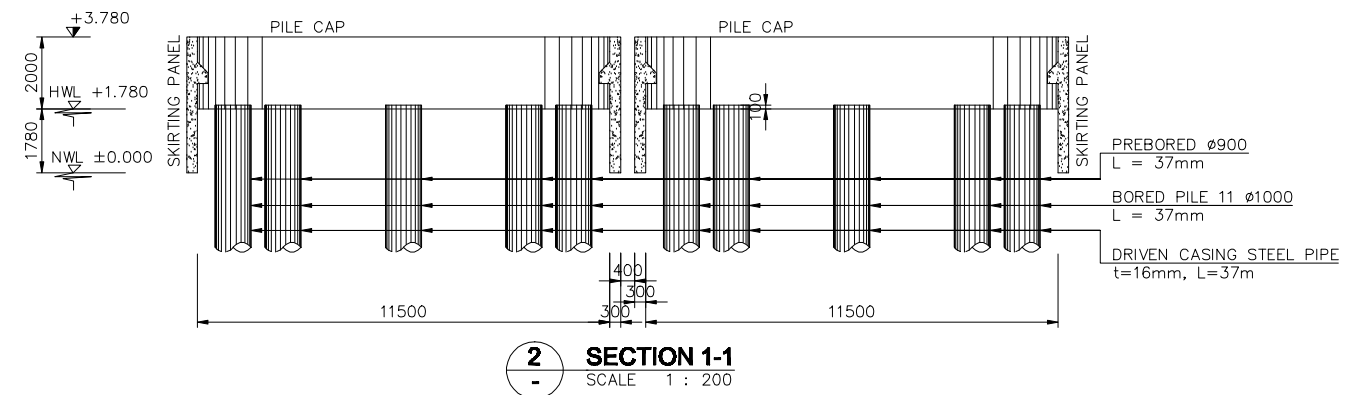
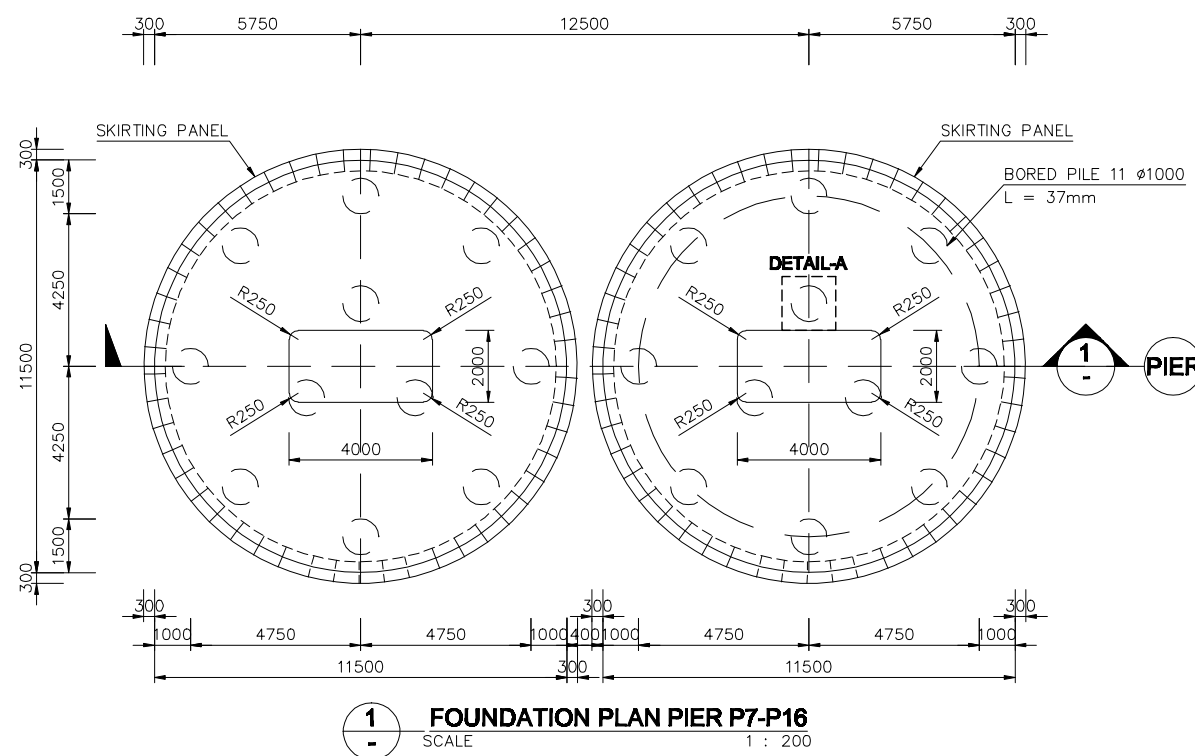
DRAWING TITLE :

**FOUNDATION DETAIL
OF PIER P7-P15**

DRAWING No.: B-03

SCALE :

DATE :





**SOUTH KALIMANTAN PROVINCE
GOVERNMENT**
MINISTRY OF PUBLIC WORK
JALAN D.I. PANDJAITAN No. 8 BANJARMASIN

**PROGRAM PEMBANGUNAN
JALAN DAN JEMBATAN**

No. PACKAGE
PROVINCE
SOUTH KALIMANTAN
No. ROADS
SUB DISTRICT
KOTA BARU
TANAH BUMBU - KOTA BARU

PROJECT
TECHNICAL PLANNING APPROACH BRIDGE
AND PRE-DESIGN MAIN SPAN BRIDGE OF
KALIMANTAN ISLAND AND LAUT ISLAND
SOUTH KALIMANTAN

**PT. PEMETA ENGINEERING SYSTEM, KSO
PT. ANUGRAH KRIDAPRADANA
PT. WIDYADAYA BANDARAN**

DRAWING BY :
Asep Ariyanto, S.T.
OPERATOR CAD

PLANNED BY :
Ir. Ary Pramuato, S.T., M.T.
STRUCTURAL ENG.

APPROVED BY :
Ir. Budi Santoso, M.T.
TEAM LEADER

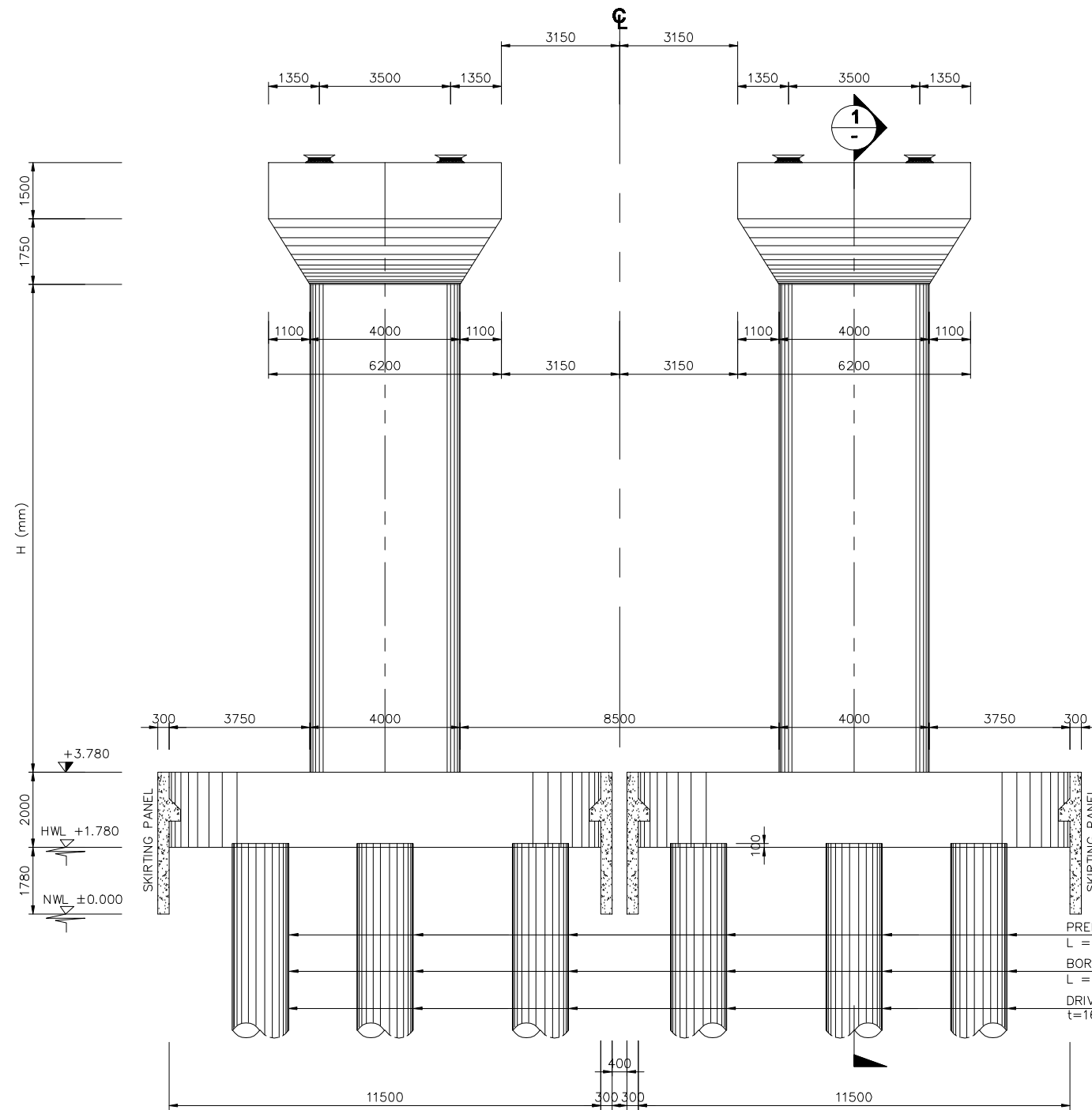
DRAWING TITLE :

DIMENSION OF PIER P7-P15

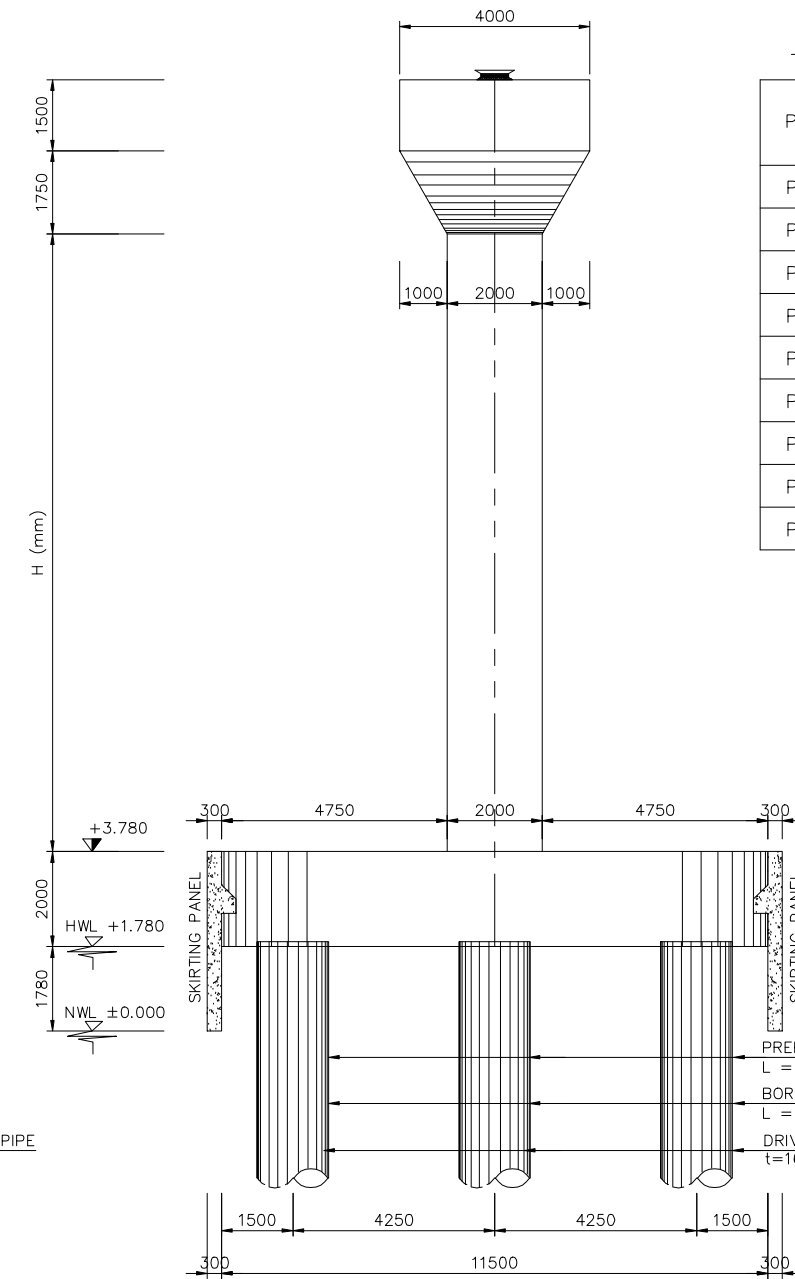
DRAWING No.: B-04

SCALE :

DATE :



1
PIER DETAIL
SCALE 1 : 150



2
SECTION 1 - 1
SCALE 1 : 150

TABLE OF PIER

PIER	H (mm)
P7	4011
P8	4892
P9	5763
P10	6631
P11	8581
P12	8360
P13	9242
P14	10101
P15	10960



**SOUTH KALIMANTAN PROVINCE
GOVERNMENT**
MINISTRY OF PUBLIC WORK
JALAN D.J. PANDJAITAN No. 8 BANJARMASIN

**PROGRAM PEMBANGUNAN
JALAN DAN JEMBATAN**

No. PACKAGE	PROVINCE	No. ROADS	PROJECT
	SOUTH KALIMANTAN	SUB DISTRICT KOTA BARU	TECHNICAL PLANNING APPROACH BRIDGE AND PRE-DESIGN MAIN SPAN BRIDGE OF KALIMANTAN ISLAND AND LAUT ISLAND SOUTH KALIMANTAN
	TANAH BUMBU - KOTA BARU		

**PT. PEMETA ENGINEERING SYSTEM, KSO
PT. ANUGRAH KRIDAPRADANA
PT. WIDYADAYA BANDARAN**

DRAWING BY :	PLANNED BY :	APPROVED BY :
<i>[Signature]</i>	<i>[Signature]</i>	<i>[Signature]</i>
Asep Ariyanto, S.T. OPERATOR CAD	Ir. Ary Pramarto, S.T., M.T. STRUCTURAL ENG.	Ir. Budi Santoso, M.T. TEAM LEADER

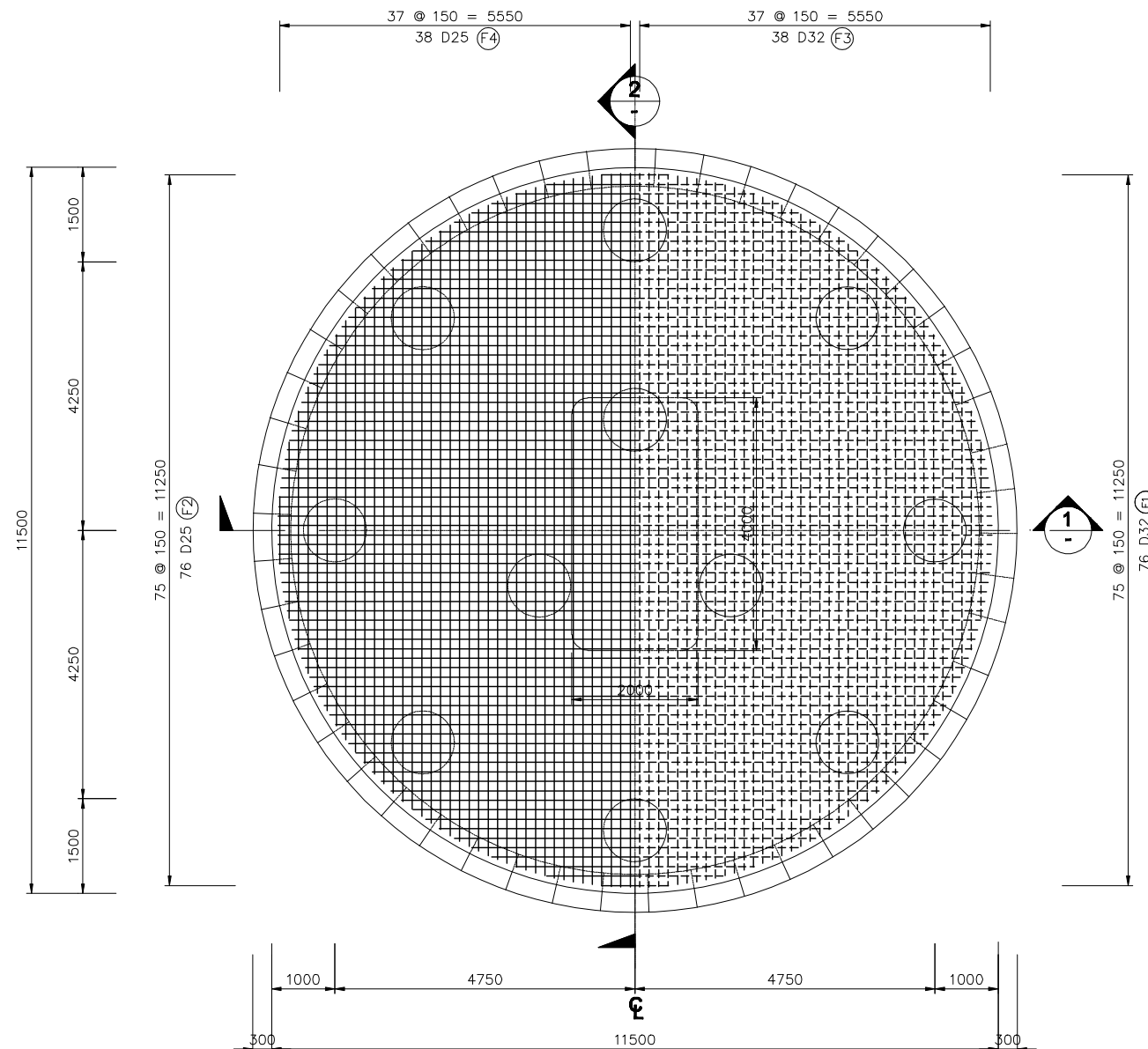
DRAWING TITLE :

**REINFORCEMENT OF PIER
PILE CAP PIER P7-P16**

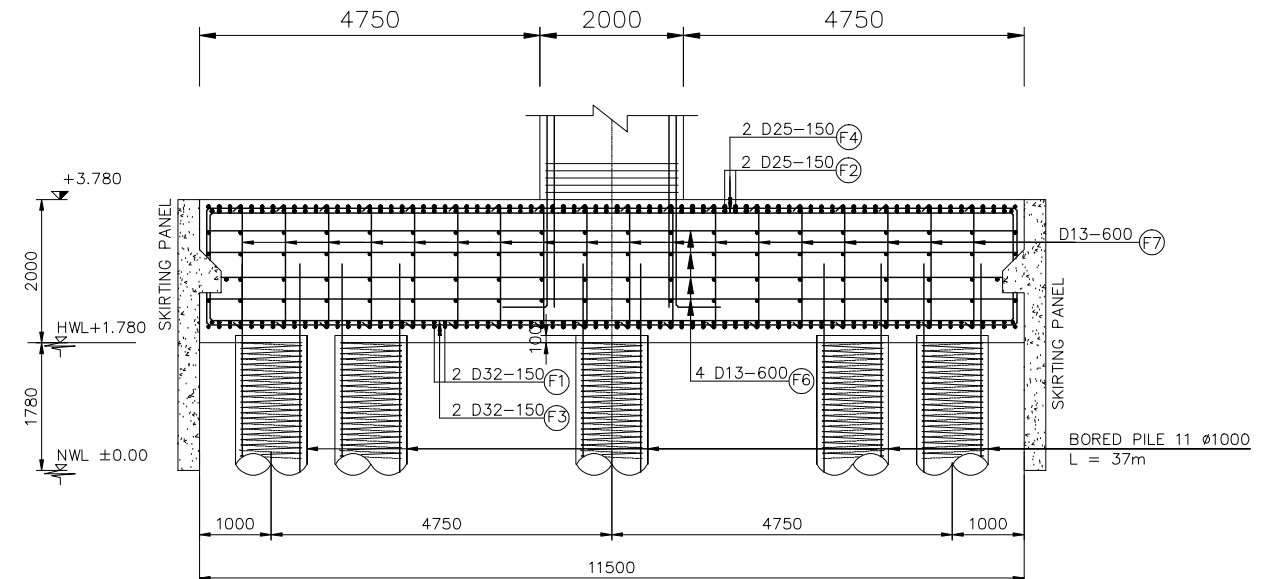
DRAWING No.: B-05

SCALE :

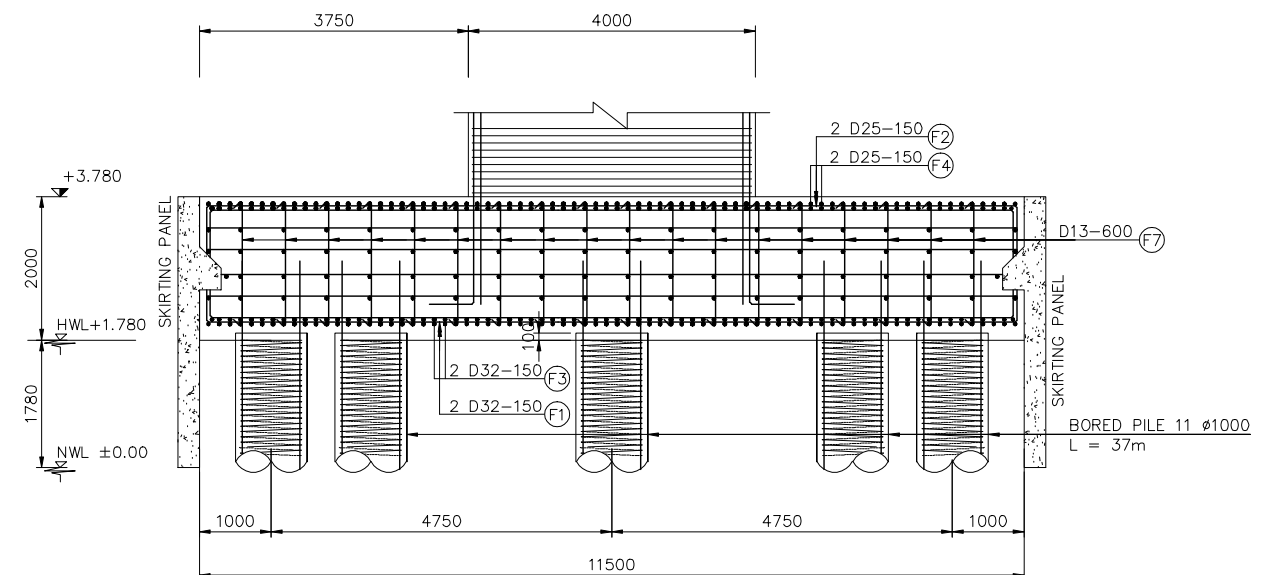
DATE :



2 PILE CAP PLAN
SCALE 1 : 100



3 SECTION 2-2
SCALE 1 : 100



3 SECTION 2-2
SCALE 1 : 100



**SOUTH KALIMANTAN PROVINCE
GOVERNMENT**
MINISTRY OF PUBLIC WORK
JALAN D.J. PANDJAITAN No. 8 BANJARMASIN

**PROGRAM PEMBANGUNAN
JALAN DAN JEMBATAN**

No. PACKAGE
PROVINCE
SOUTH KALIMANTAN
TANAH BUMBU - KOTA BARU

No. ROADS
SUB DISTRICT
KOTA BARU
PROJECT
TECHNICAL PLANNING APPROACH BRIDGE
AND PRE-DESIGN MAIN SPAN BRIDGE OF
KALIMANTAN ISLAND AND LAUT ISLAND
SOUTH KALIMANTAN

**PT. PEMETA ENGINEERING SYSTEM, KSO
PT. ANUGRAH KRIDAPRADANA
PT. WIDYADAYA BANDARAN**

DRAWING BY :
Asep Ariyanto, S.T.
OPERATOR CAD

PLANNED BY :
Ir. Ary Pramarto, S.T., M.T.
STRUCTURAL ENG.

APPROVED BY :
Ir. Budi Santoso, M.T.
TEAM LEADER

DRAWING TITLE :

REINFORCEMENT OF PIER P7-P16

DRAWING No.: B-06

SCALE :

DATE :

TABLE OF PIER

PIER	H (mm)	PIER	H (mm)
P7	4011	P12	8360
P8	4892	P13	9242
P9	5763	P14	10101
P10	6631	P15	10960
P11	8581	P16	11838

